

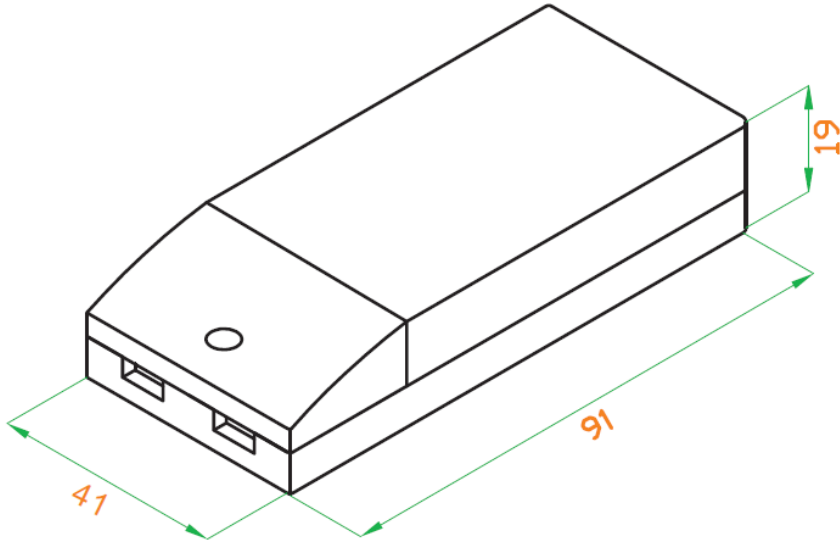
## Features:



- Triac dimmable
- Suitable for leading/ trailing edge dimming
- Constant current and constant voltage design
- Protections: Short circuit/ Overload/ Over voltage
- Built-in PFC function (PFC>0.95)
- Up to 80% efficiency
- Fully isolated

Model No.	ELED-12-350T	ELED-12-500T	ELED-12-700T	ELED-12-12T	ELED-12-24T
<b>Input Voltage Range</b>	220-240VAC				
<b>AC Frequency</b>	50-60Hz				
<b>Output Mode</b>	Constant Current			Constant Voltage	
<b>Output Current</b>	350mA	500mA	700mA	0-0.8A	0-0.4A
<b>Output Voltage</b>	17-34V	12-24V	10-16V	12V	24V
<b>Output Power</b>	12W Max				
<b>Power Factor</b>	>0.95				
<b>Efficiency</b>	>80%				
<b>Operating Temperature</b>	-30°C+45°C				
<b>Relative Humidity</b>	5-95%				
<b>Isolation Voltage</b>	In/ Out 3000VAC				
<b>Vibration</b>	5-55Hz/ 2g, 30minutes				
<b>EMI</b>	EN55015 Class B				
<b>Safety</b>	EN61347-1, EN61347-2-13				
<b>Electromagnetic Immunity</b>	EN61547, EN55024, EN61000-4-2, 3, 4, 6, 8, 11				
<b>Harmonic Current Emissions</b>	EN61000-3-2, EN61000-3-3				
<b>Dimensions (mm)</b>	91x 41x 19				

## Dimensions Chart(mm)



## Wiring Schematic

